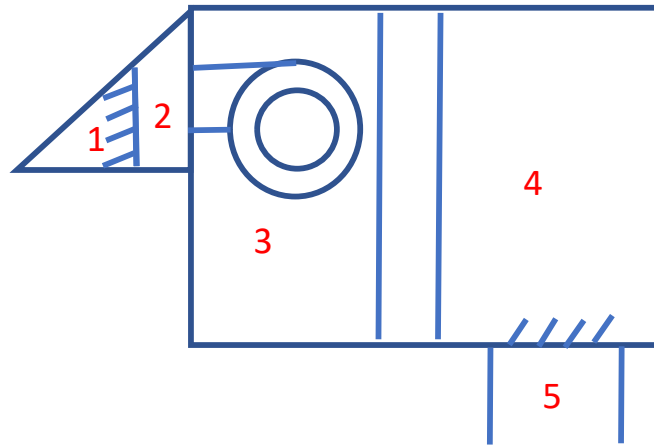


# National TAB

Project: Gladstone Fire Station  
System: ERV Exhaust



Pressure measurements:

- 1 0.00" wc
- 2 +0.13" wc
- 3 -0.59" wc
- 4 -0.14" wc
- 5 -0.11" wc (Note: taken with the back draft damper propped open)